

PRE-SHREDDER PMG 1600 HYDRAULIC



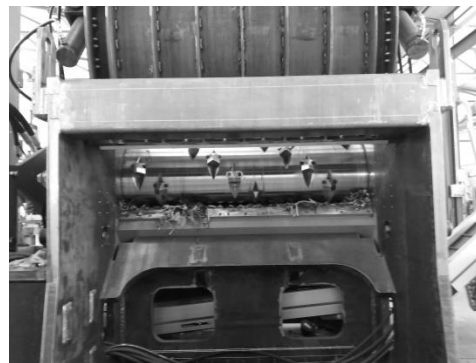
HYDRAULIC UNIT



ELECTRICAL PANEL REMOTE CONTROL ON BOARD



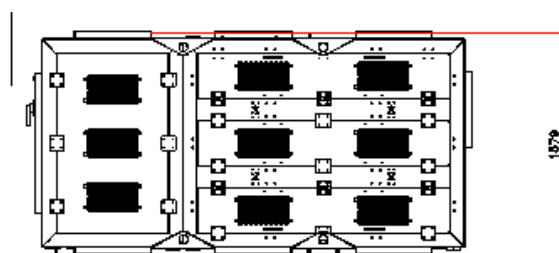
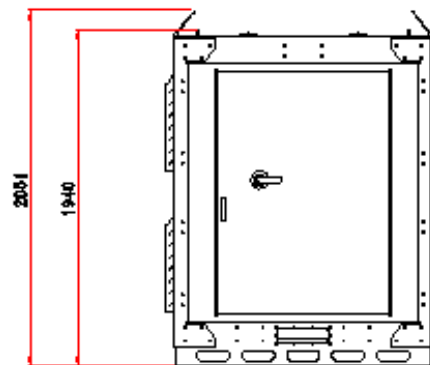
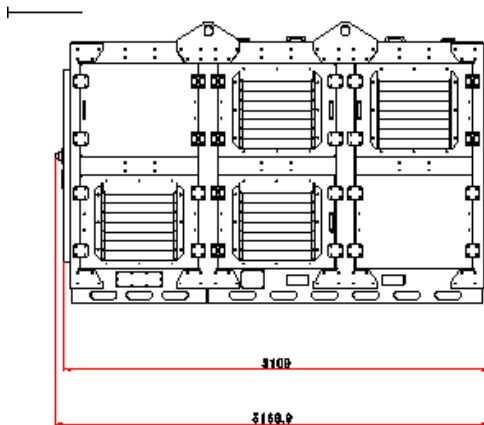
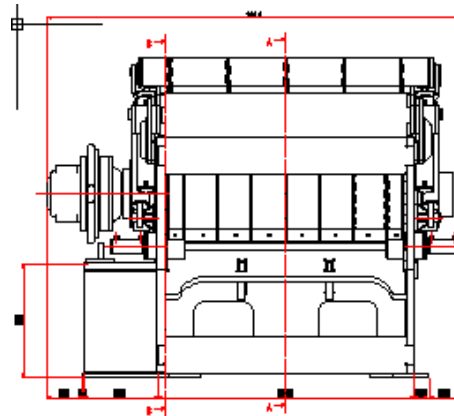
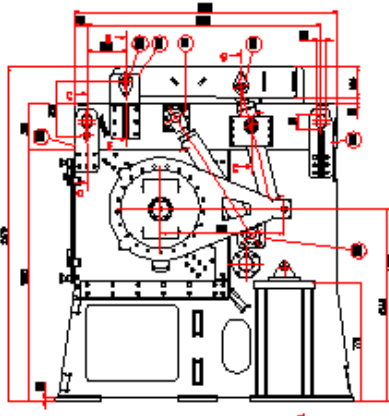
CHUTTING CHAMBER WITH BLADES



EASY AND FAST OPENING FOR MAINTENANCE

TECHNICAL FEATURES:

- **Loading hopper :2000x1800 mm**
- **Dimensions machine : 2811 x 1947 x 3128 h.**
- **Rotor diameter : 500 mm**
- **Pusher stroke : 500 mm**
- **Screen size: 50 mm**
- **Number of rotating blades :32**
- **Number of counterblades : 4**
- **Drive type : Rexroth-Bosch- Haggiends**
- **Installed power : 132 Kw 228 A**
- **Voltage : 380V Trifase 50 Hz**
- **Total weight: 11000 kg – Hydraulic 3000 kg**
- **Hydraulic oil tank capacity : 130 liters**
- **Noise level : 82 db(A)**
- **Force : 56500 N**
- **Speed of rotor : 30/RPM**



OPTIONAL AVAILABLE :

- Conveyor belt
- Remote control for cutting chamber opening
- Adjusting distance between cutting chamber and hydraulic unit (default 2,5 mt)